

## LF80 Rudder control unit



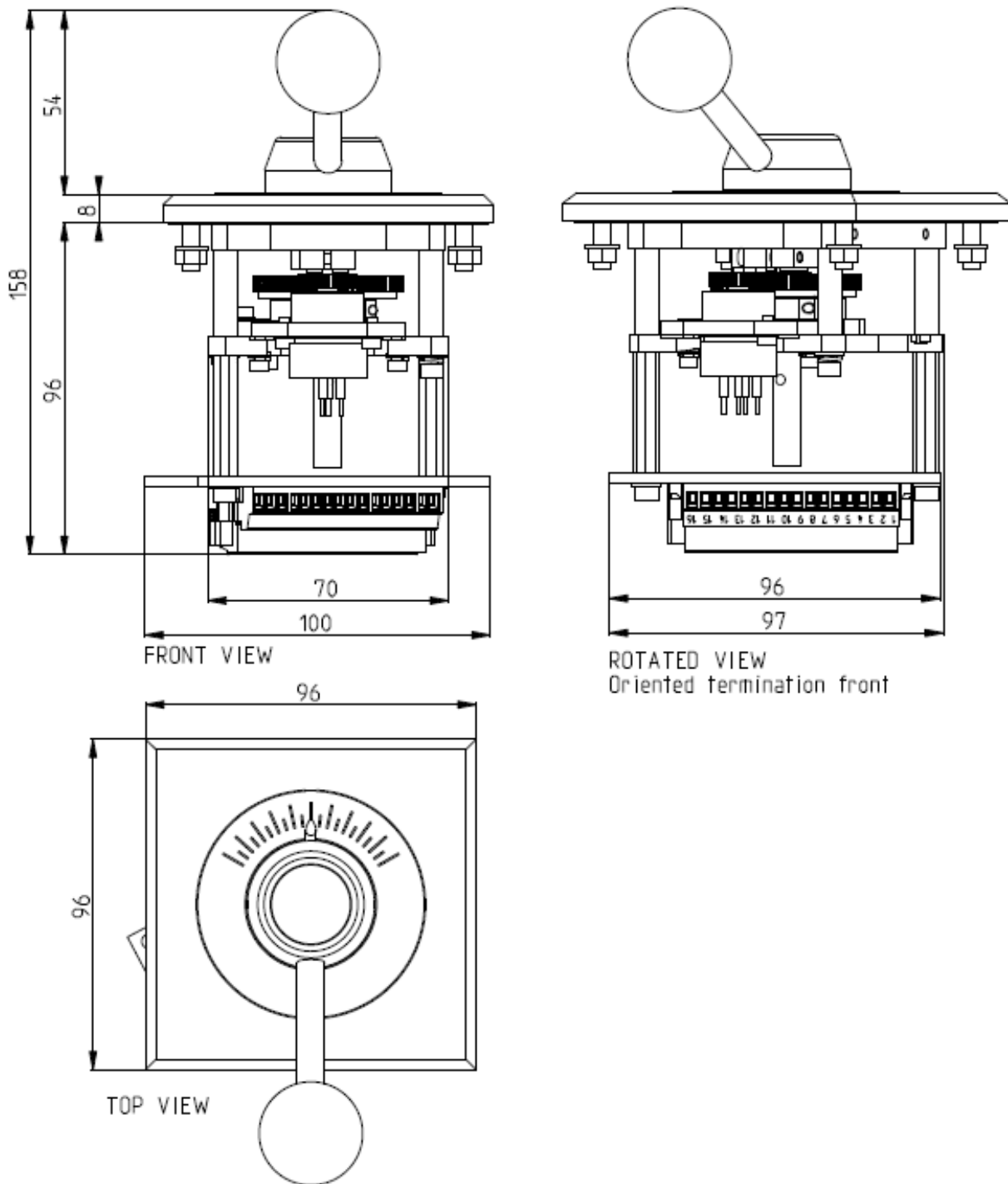
Small and reliable rudder control lever. Designed for electronic control, equipped with shaft. Different knobs and/or wheels and a range of scales available as options.

Talk to us:

Spain +34 912 625 978 info.es@kinextec.com  
Italy +39 02 927 281 info@kiepeelectric.com

More information  
[www.lilaas.no](http://www.lilaas.no)

# Rudder control lever LF80



## Technical description, standard

Panel plate:	Coated aluminium
Handle:	Dull surface stainless steel and POM
Scale:	Self-adhesive with light (24V)
Standard potentiometers:	5K
Potentiometer operation:	Gear Wheel
Standard termination:	16 pins contact with plug
Enclosure:	IP66
Type approval:	EN/IEC 60945, ABS, BV, DNV, GL, KR, LR, NK, RINA, PRS, RS, CRS

## Options

Integrated scale light
Built in switches
Motorized axis
Alternative potentiometers
Wheel, knob or handle
Deflection
EMC protection
Spring-loaded return to neutral

Other options on request